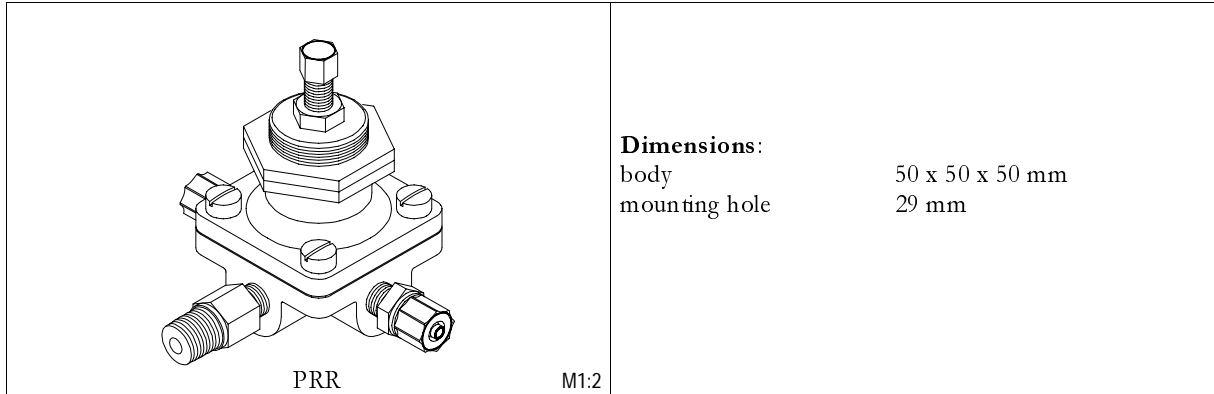


Preliminary information !

Pressure Regulator



<i>Order number</i>	<i>Description</i>
PRR	Pressure Regulator with safety relief valve

The Pressure Regulator PRR is equipped with a safety relief valve, and should be used with our OZONE GENERATORS BMT 802 X and BMT 803. The safety relief valve ensures that the pressure inside the generator will never exceed maximum.

- brass fittings for 4 x 6 mm tubing for both, inlet and outlet (for oxygen only)
- safety relief valve for 15 psi
- min. input pressure: output pressure plus approx. 0.5 bar