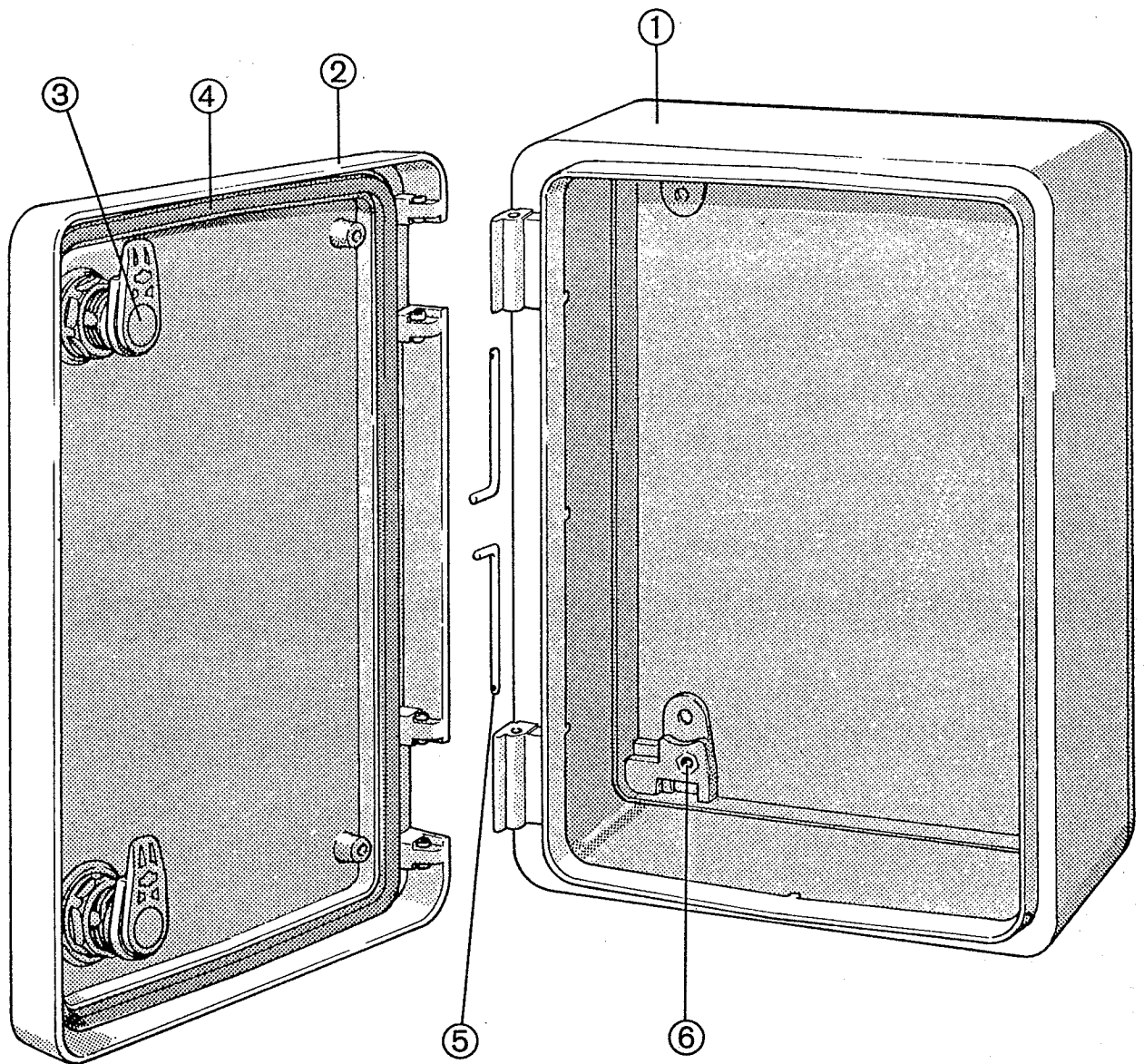


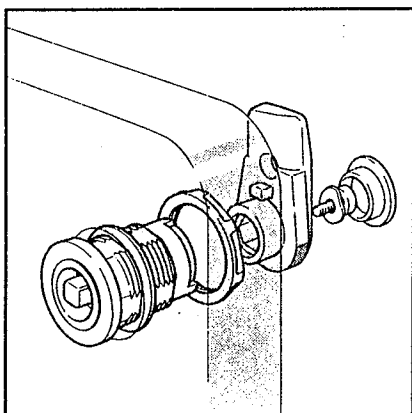
# **OZONE ANALYZER BMT 961 C**

## **(Cabinet)**

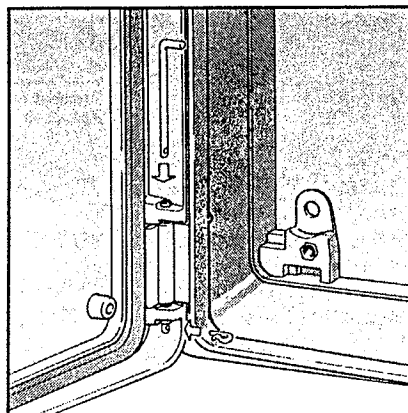
### **Installation and Operation**



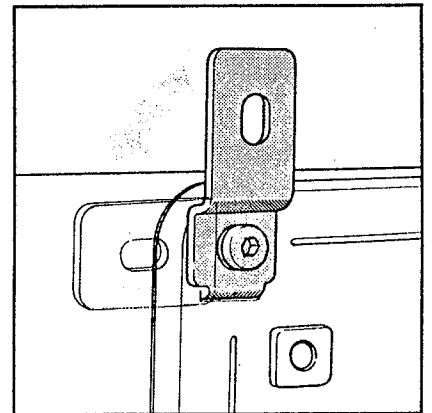
- ① Unterteil
- ② Tür
- ③ Schnellverschluß
- ④ Dichtung
- ⑤ Scharnierstift
- ⑥ Gewindebuchse



Austausch der Drehriegelverschlüsse nach Entfernen der Abdeckkappe und Lösen der Innensechskantschraube.



Demontage der Tür durch Entfernen der Sicherungsklammer und der Scharnierstifte.

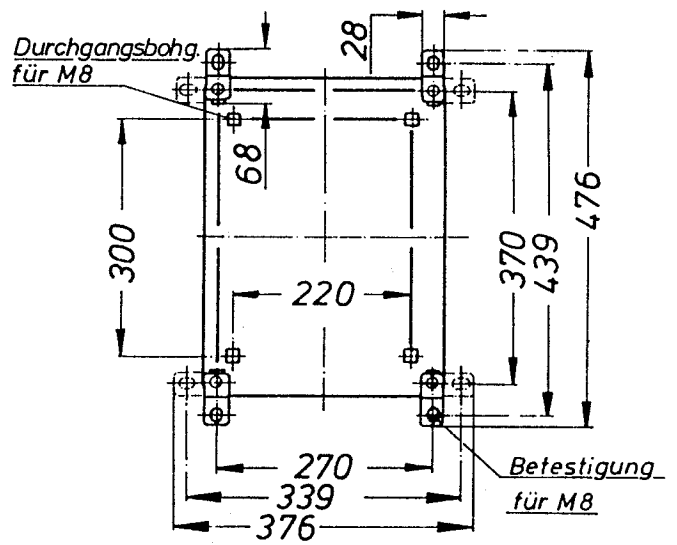
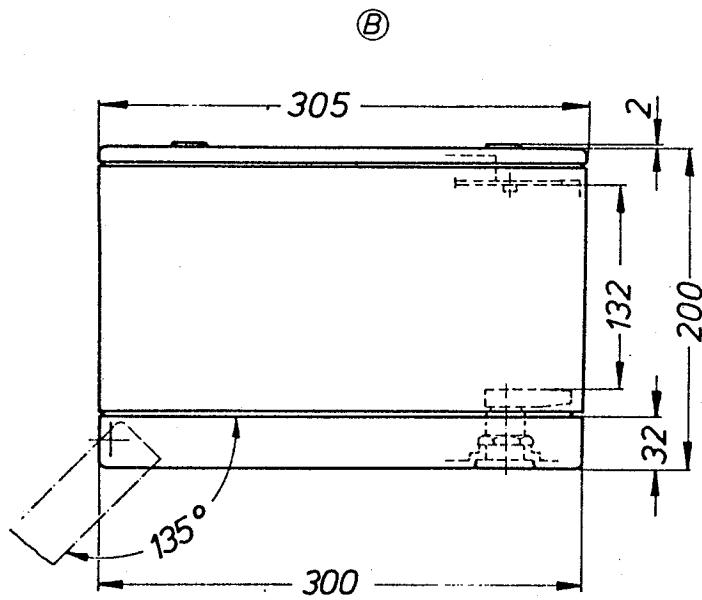
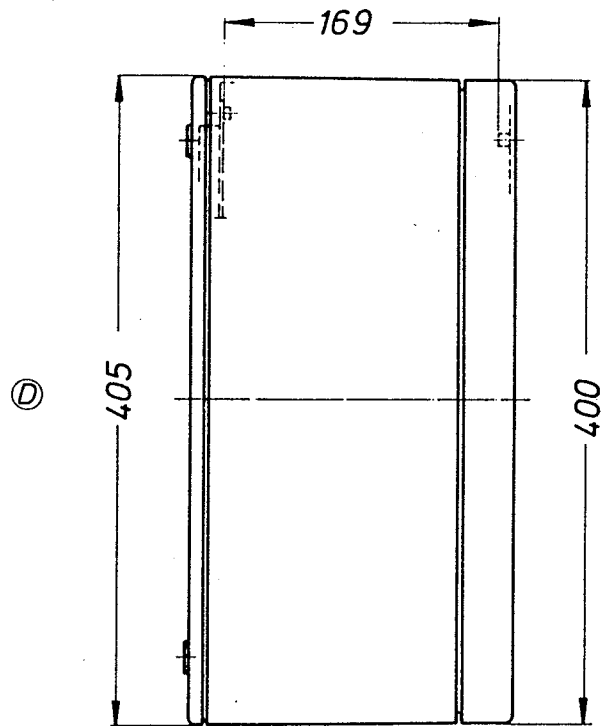
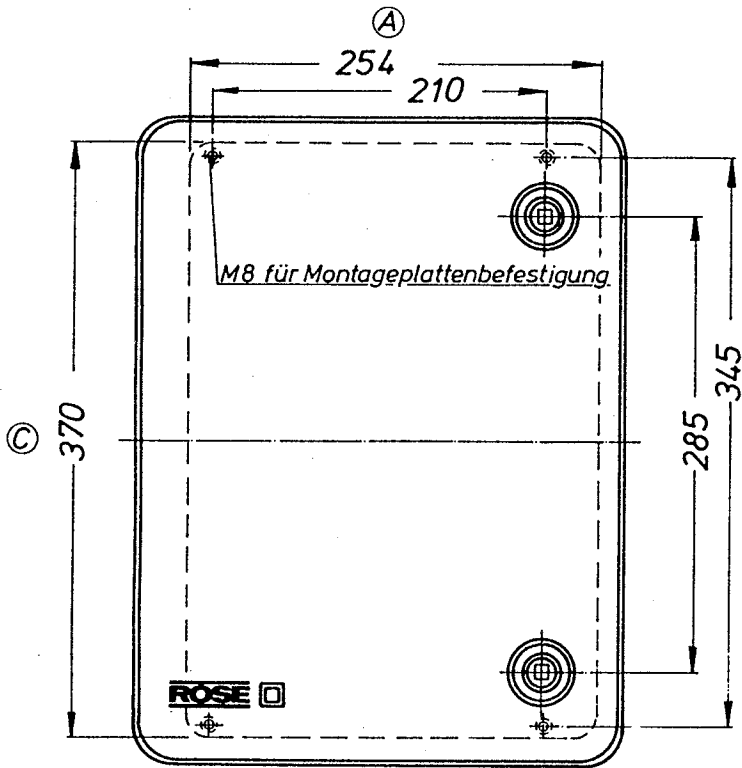


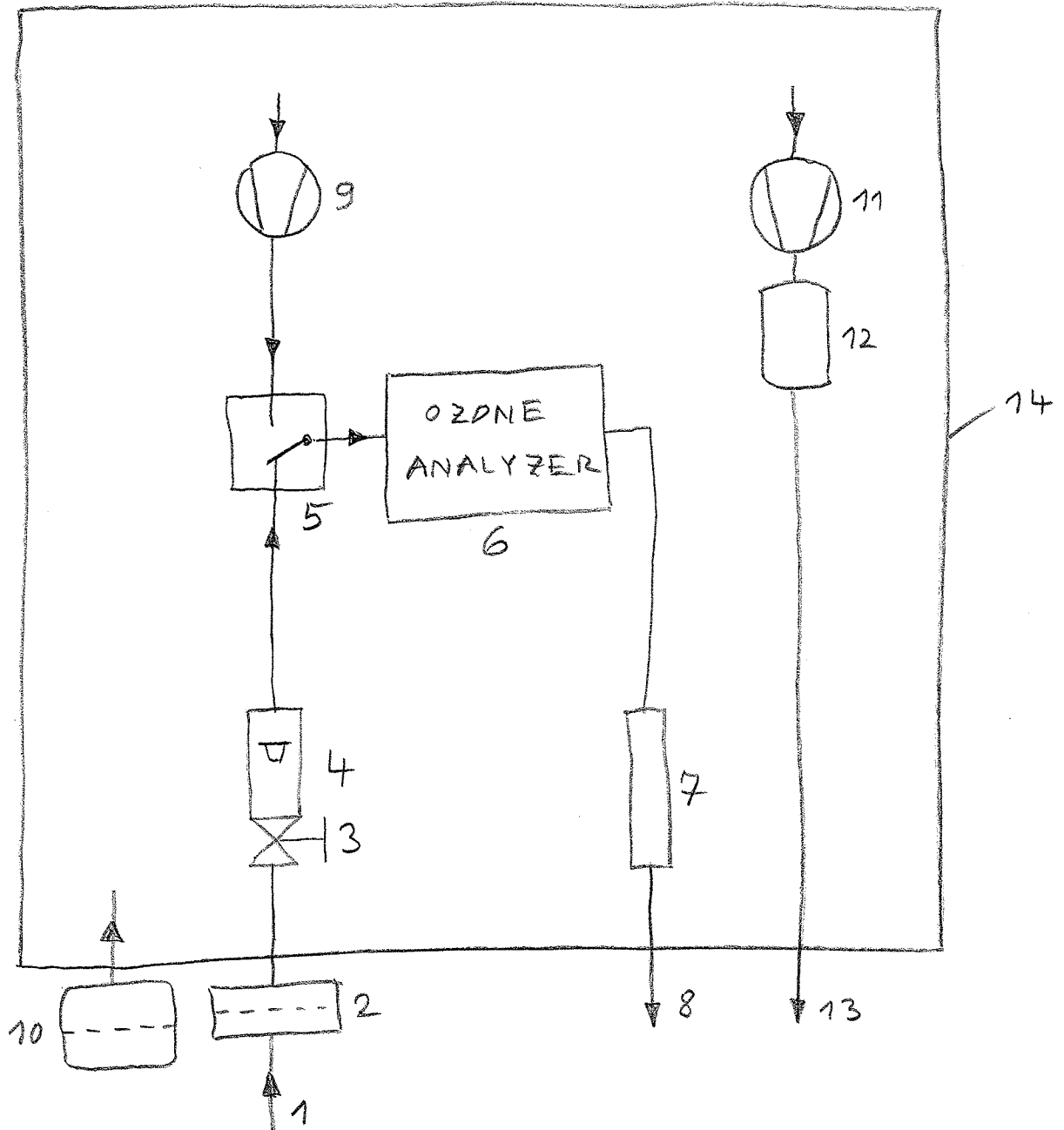
Wandmontage mit Außenbefestigungsglaschen senkrecht oder waagrecht.

**Polyglas Typ 21.3040**

Leergewicht: 4.000 g

Außenmaße: 305 x 405 x 200





Flow Chart  
 OZONE ANALYZER BMT 961 C  
 (Cabinet Version)

- |                                     |                             |
|-------------------------------------|-----------------------------|
| 1 sample gas inlet port             | 8 sample gas outlet port    |
| 2 sample gas filter                 | 9 air pump (cuvette purge)  |
| 3 throttle valve                    | 10 dust filter (room air)   |
| 4 flow meter                        | 11 air pump (cabinet vent.) |
| 5 electric solenoid valve (3/2-way) | 12 air chamber (muffler)    |
| 6 OZONE ANALYZER BMT 961            | 13 vent. air outlet         |
| 7 ozone catalyser                   | 14 cabinet (air tight)      |

OZONE ANALYZER BMT 961  
Cabinet Version

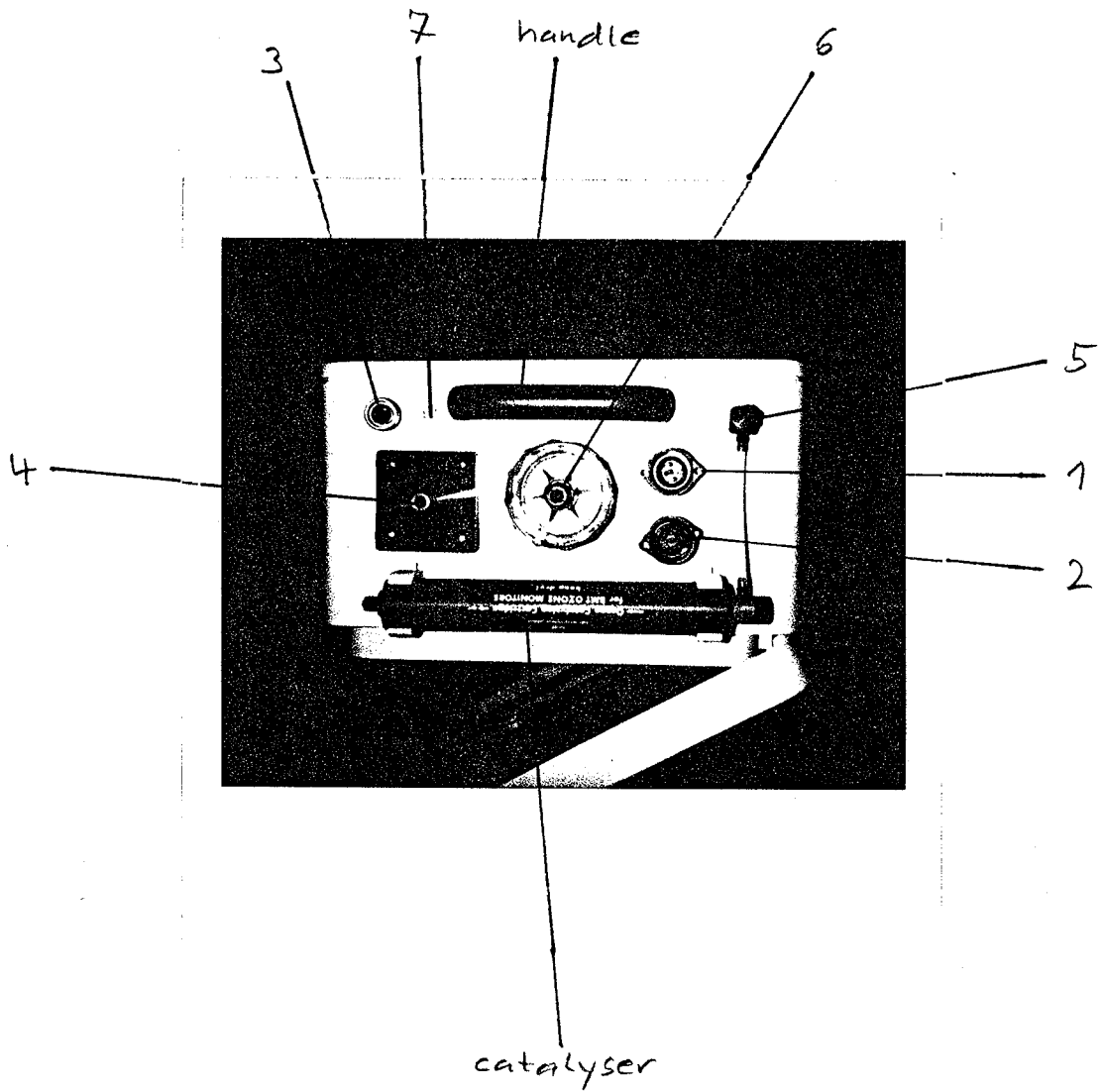
Installation:

- 1 Power connector:  
pin 1&2 power line  
pin ③ power ground
- 2 Signal connector:  
pin 1 N.C.  
pin 2 N.C.  
pin 3 voltage output 0-10V, high  
pin 4 } faulty signal contact  
pin 5 } (open when faulty)  
pin 6 N.C.  
pin 7 voltage output 0-10V, low
- 3 Signal connector (4-20mA):  
pin 1 current output 4-20mA, high  
pin 2 current output 4-20mA, low  
pin 3 N.C.  
pin 4 N.C.
- 4 Sample gas inlet (via sample gas filter):  
Use filter inserts No. 8, 50mm OD (Schleicher & Schüll)
- 5 Sample gas outlet
- 6 Vent air inlet (via vent air filter):  
Use filter inserts No. 8, 50mm OD (Schleicher & Schüll)
- 7 Vent air outlet

Set-Up:

- \* Adjust throttle valve of flow meter for .5 to 1 l/min
- \* Press AUTO ZERO push button to purge the cuvette, and zero the analyzer
- \* Adjust RINSE TIME pot for the desired purging time (3 to 10 seconds)
- \* Set INTERVAL slide switches for the desired zeroing interval: add 2, 4, 8, 16 to achieve the interval (e.g. 8+16=24 hours)
- \* Press TEST 50% to check the analyzer
- \* To start the zeroing interval:  
Disconnect the system from the power line, and then reconnect it to start the interval

Note: Measurement and remote control are disabled for five minutes after power-up (while ON and AUTO ZERO LEDs are blinking)



**BMT**

**BMT MESSTECHNIK GMBH**

1000 Berlin 37  
Argentinische Allee 32a  
(030) 801 85 95

17.4.92 Wk

**BMT961 Cabinet Version Schematic**

