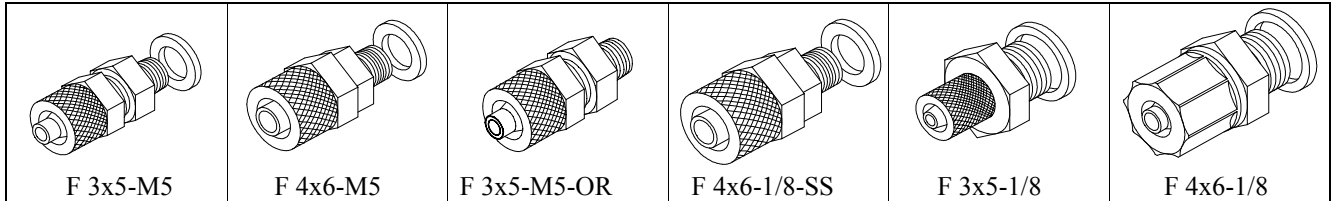


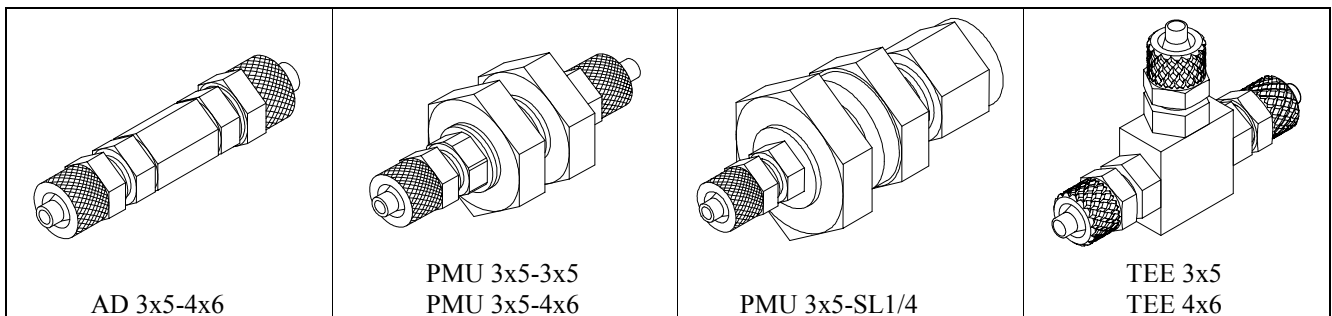
Ozone Accessories

Our standard fitting size is for 3x5 mm flexible tubing (FEP, PTFE, etc.). Other fitting types and sizes on request.

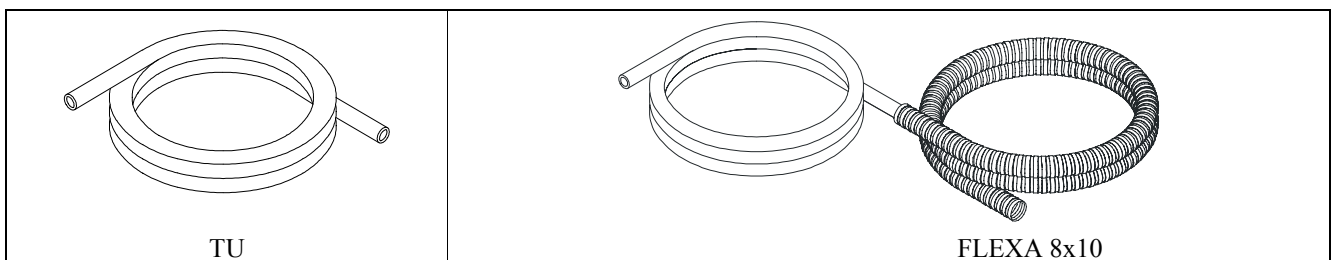
Fittings, Reducers, Tubing



order number	description
F 3x5-M5	fitting for (standard) 3x5 mm (or 1/8" x 3/16" resp.) FEP tubing, M5 thread, SS
F 4x6-M5	fitting for 4x6 mm FEP tubing, M5 thread, SS
F 3x5-M5-OR	same as F3x5-M5, with KALREZ® O-ring on mounting side
F 4x6-1/8-SS	fitting for 4x6 mm FEP tubing, G1/8 thread, SS
F 3x5-1/8	fitting for (standard) 3x5 mm (or 1/8" x 3/16" resp.) FEP tubing, G1/8" thread, aluminum, black anodised
F 4x6-1/8	fitting for 4x6 mm FEP tubing, G1/8" thread, aluminum, black anodised
nut 3x5	additional nuts for the above fittings may be ordered separately
nut 4x6	additional nuts for the above fittings may be ordered separately



AD 3x5-4x6	adaptor 4x6 mm to 3x5 mm FEP tubing, SS
PMU 3x5-3x5	panel mount union for FEP tubing, hole 10mm, max. wall thickness 5mm, SS
PMU 3x5-4x6	same as above, panel mount reducer
PMU 3x5-SL1/4	panel mount reducer union, 1/4" LET-LOK (Swagelok interchangeable) to 3x5 mm FEP tubing, hole 13.1 mm, max. wall thickness 6 mm, SS
TEE 3x5	Tee connection with fittings for 3x5 mm FEP tubing, AL, SS
TEE 4x6	Tee connection with fittings for 4x6 mm FEP tubing, AL, SS



TU 2.5x4	FEP tubing, 2.5x4 mm, transparent	per m
TU 3x5	FEP tubing, 3x5 mm (1/8" x 3/16"), transparent	per m
TU 4x6	FEP tubing, 4x6 mm, transparent	per m
TU 1/4x5/32	FEP tubing, 1/4 x 5/32", transparent	per m
FLEXA 8x10	flexible SS tubing ID 7.5mm, for protecting FEP tubing	per m