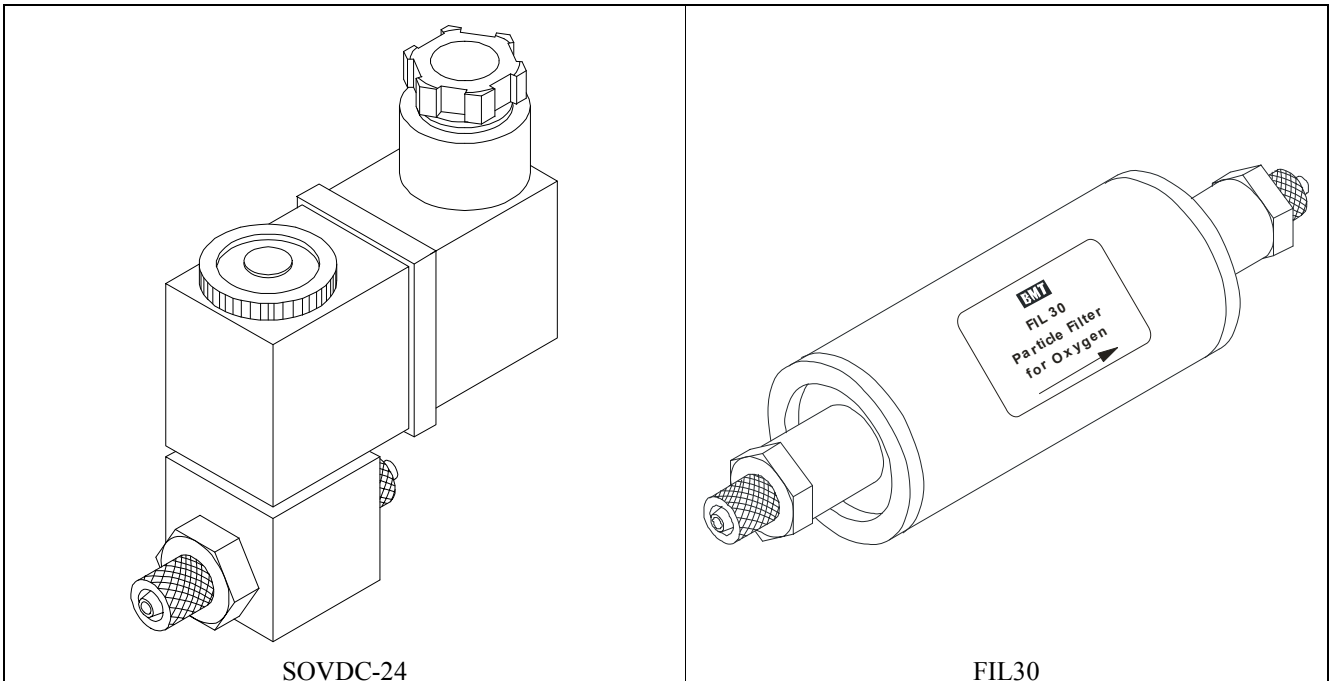
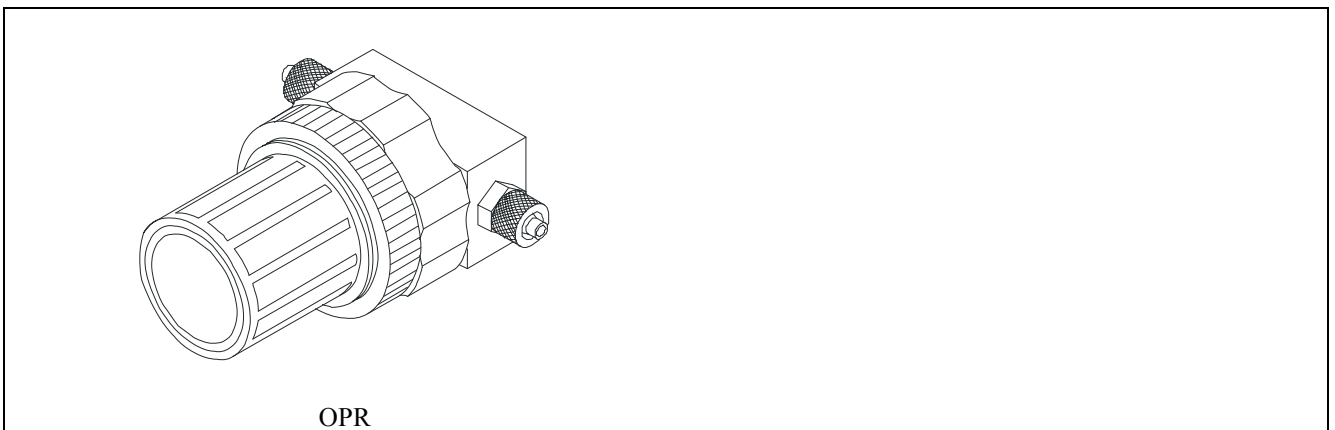


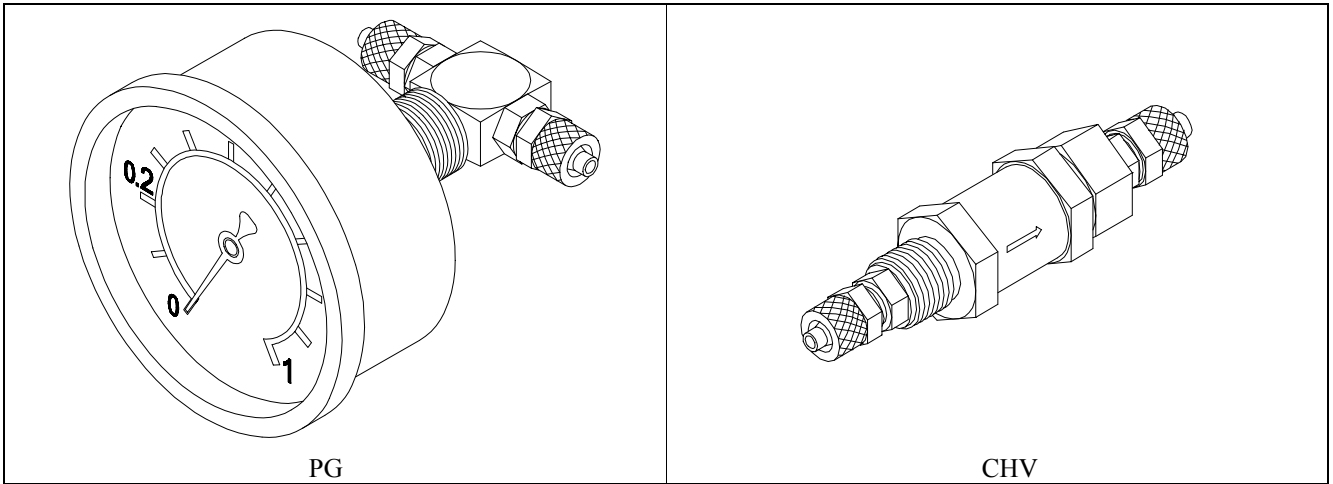
Ozone Generator Accessories



order number	description
SOVDC-24	oxygen safety off valve NC (for 3x5 mm tubing), coil 24 VDC/5W, others on request
FIL30	oxygen filter (specify tubing)



order number	description
OPR10	oxygen pressure regulator 0-1.0 barg
OPR25	oxygen pressure regulator 0-2.5 barg



order number	description
PG10	oxygen pressure gauge, 50mm OD, 0-1.0 barg, with 2 fittings for 3x5 mm tubing, clamp
PG25	oxygen pressure gauge, 50mm OD, 0-2.5 barg, with 2 fittings for 3x5 mm tubing, clamp
CHV	check valve, approx. 25 mbar, ozone resistant

If you have any further question, do not hesitate to contact us.

-

We will find a solution to your problem.