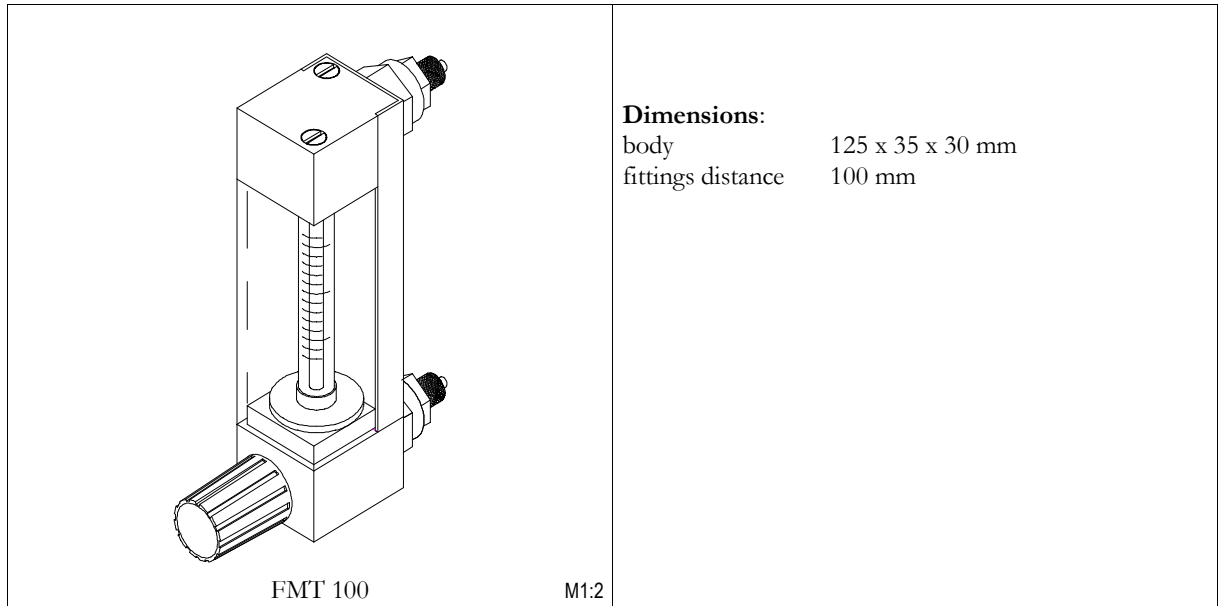


Flow Meter with Throttle Valve



Dimensions:
 body 125 x 35 x 30 mm
 fittings distance 100 mm

<i>Order number</i>	<i>Description</i>
FMT 100-12	flow meter 0.1 to 1.2 l/min
FMT 100-6	flow meter 0.05 to 0.6 l/min

The FMT 100 is an ozone resistant gas flowmeter with throttle valve for the gas flow measurement of ozone in oxygen. The throttle valve provides flow adjustment in configurations with fixed input pressure.

- stainless steel fittings for 3 x 5 mm PTFE tubing
- two measurement ranges
- throttle valve
- materials in contact with the gas: PTFE, stainless steel, Kalrez, borosilicate glas

This drawing is isometric. To obtain the true length of an edge parallel to any of the three axes, multiply its length by the scale factor and divide by 0.82.
 BMT MESSTECHNIK GMBH Berlin, Güterfelder Damm 87-91, D-14532 Stahnsdorf, Germany. Tel. +49-3329-69677-0, Fax -29
 Ozone Systems & Technology International, Inc., P.O. Box 3320, Monterey, CA 93940, USA. Tel. +1-831-649-1141, Fax -649-1151