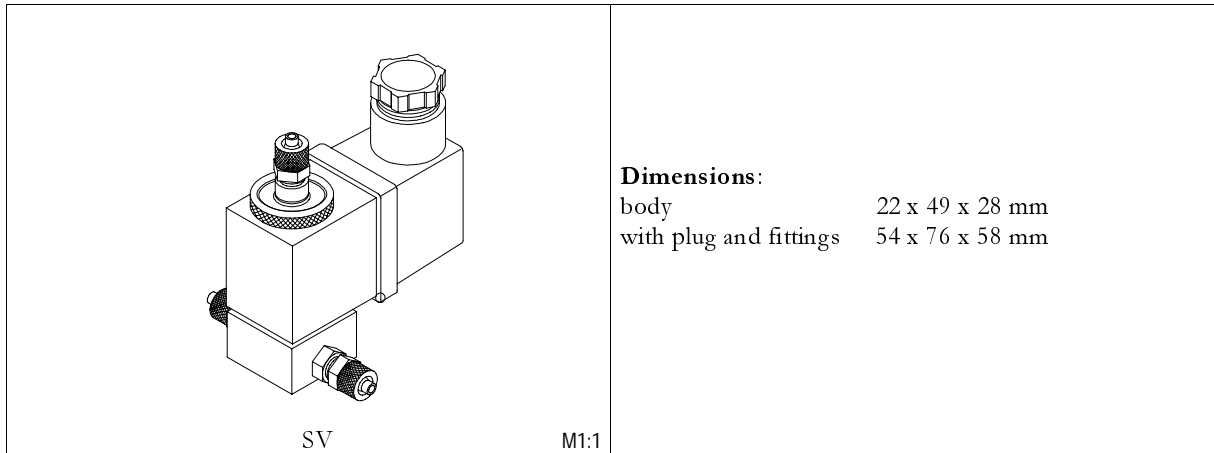


Solenoid Valve



Dimensions:
 body 22 x 49 x 28 mm
 with plug and fittings 54 x 76 x 58 mm

<i>Order number</i>	<i>Description</i>
SVDC 5	3-way solenoid valve, fittings 3 x 5 PTFE, SS, 5V DC / 3W
SVDC 24	3-way solenoid valve, fittings 3 x 5 PTFE, SS, 24V DC / 3.8W
SVAC 230	3-way solenoid valve, fittings 3 x 5 PTFE, SS, 230V AC / 4W
SVDC Plug	plug
SVAC Plug	rectifying plug

The SV is an ozone resistant three way solenoid valve for switching between sample gas and purge gas at the inlet of BMT OZONE ANALYZERS.

The plug is included but may be ordered separately.

- stainless steel fittings for 3 x 5 mm PTFE tubing
- materials in contact with the sample gas: stainless steel, Kalrez, Aflas

This drawing is isometric. To obtain the true length of an edge parallel to any of the three axes, multiply its length by the scale factor and divide by 0.82.