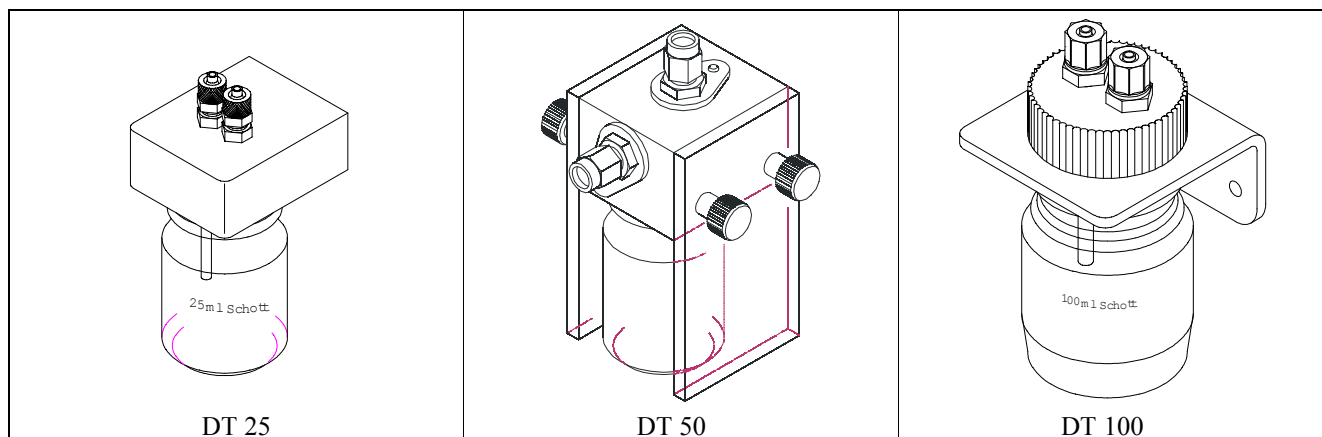
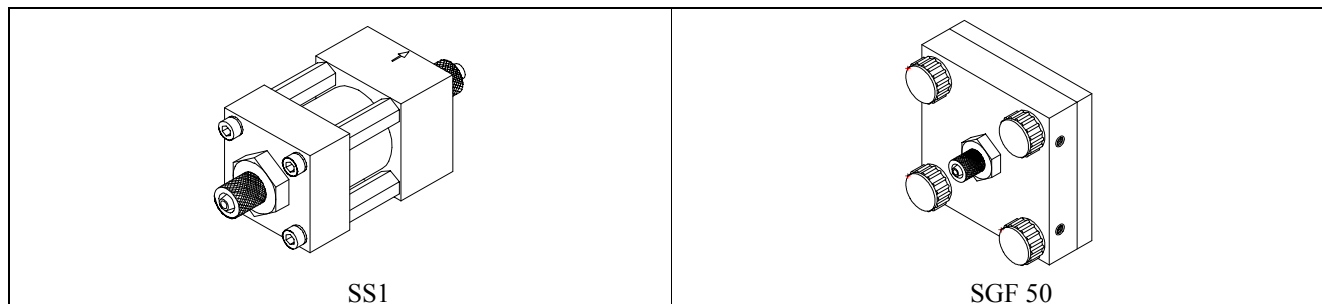


Sample Gas Filters, Ozone Destructs

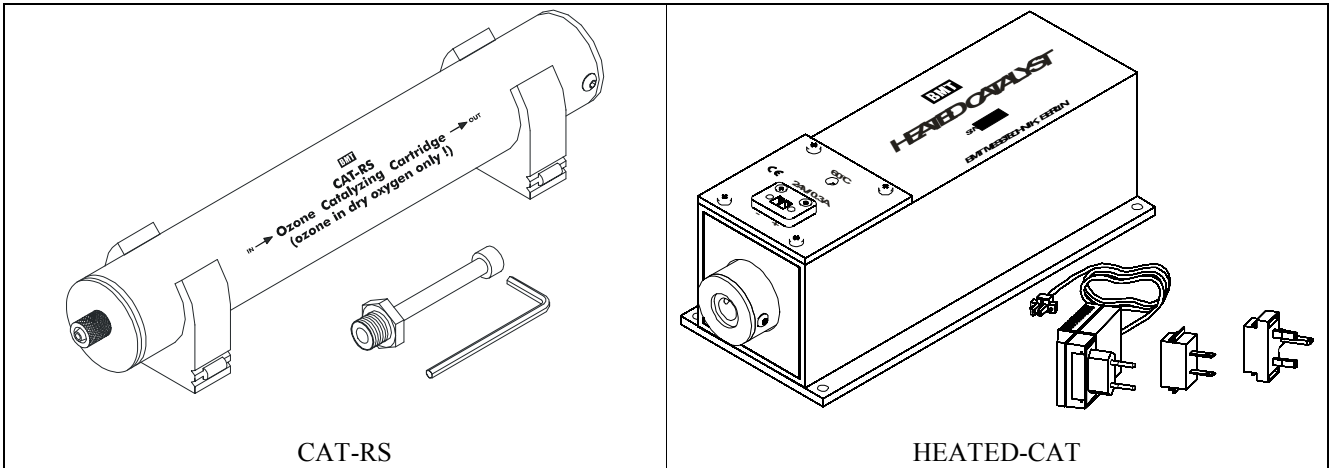


order number	description
DT 25	DIRT TRAP 25ml, fittings 3x5 mm, glass / PTFE
DT 50	DIRT TRAP 50ml, fittings 6mm or 1/4" LET-LOK (Swagelok interchangeable), glass / PTFE, acrylic protection on two sides
DT 100	DIRT TRAP 100ml, fittings 3x5 mm, glass / PTFE



SS1	sample system, gas filter + flow resistance, fittings for 3x5 mm
FILTER-SS1	filter insert (two pieces), PTFE
SGF 50	* sample gas filter, diameter 50 mm, fittings for (standard) 3x5 mm or 4x6 mm PTFE, mounting holes M 4, anodised aluminum, comes with 20 filter inserts (pure glass fibre)
SGF 50G	* same as above, golden anodized, for filter inserts of porous PTFE ("GOLD" filters), 5 spare filter inserts
SGF 50G/W	* same as above, with window for easy inspection
SGF 50G UPGRADE KIT	filter holder replacement (removable part, black or grey) for upgrade of BMT 964C / OG with 50mm glass fibre filter insert to porous PTFE
FILTER 50	box with 20 filter inserts, 50mm, for SGF 50 (as used in older BMT 964C & OG)
FILTER 50G	box with 5 filter inserts of porous PTFE ("GOLD" filters), 50mm, for SGF 50G
FILTER 25	box with 20 filter inserts of pure glass fibre, 25mm (as used in older BMT 964)

* These filter holders are not suitable as spare parts in BMT instruments! Please ask.



CAT-RS	*	catalyzing cartridge, OD 30 x 200 mm, stainless steel, to be refilled by the user, fitting for 3x5 mm FEP tubing (1/8" or 1/4" Swagelok on request), outlet G1/8, internal dust filters, clips; REFILL-RS included Attention: warranty is restricted to O ₃ in pure dry oxygen
REFILL-RS		Carulite 200 material to refill CAT-RS
REFILL-35		(see page 4, BMT 964 C)
HEATED-CAT		CAT-RS as above, electrically heated to 60°C for 24 VDC, wall mount power supply for 100-240VAC included

* The above CAT-RS is not suitable as spare part in BMT instruments! Please ask.