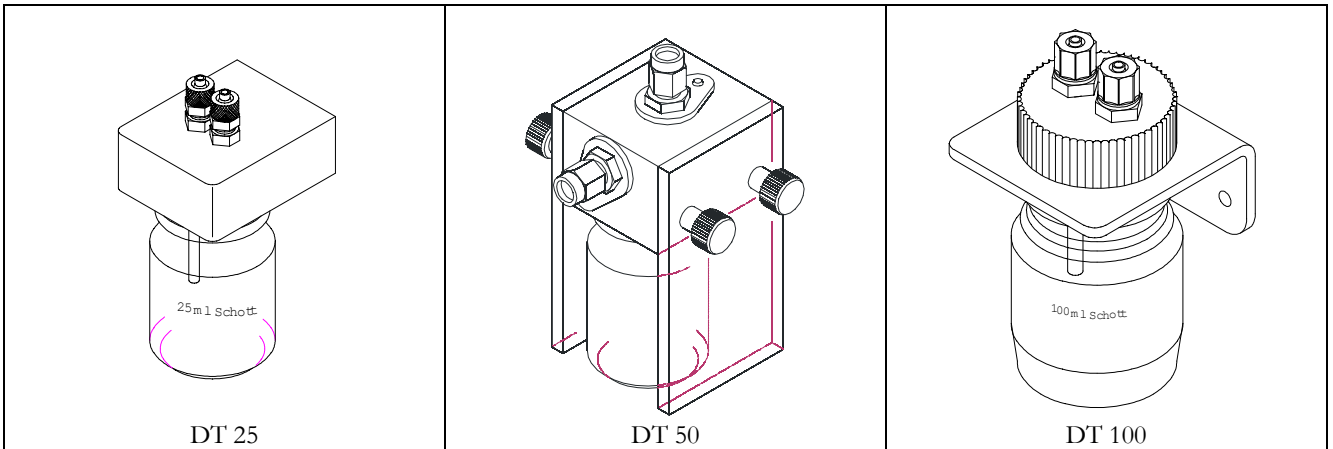
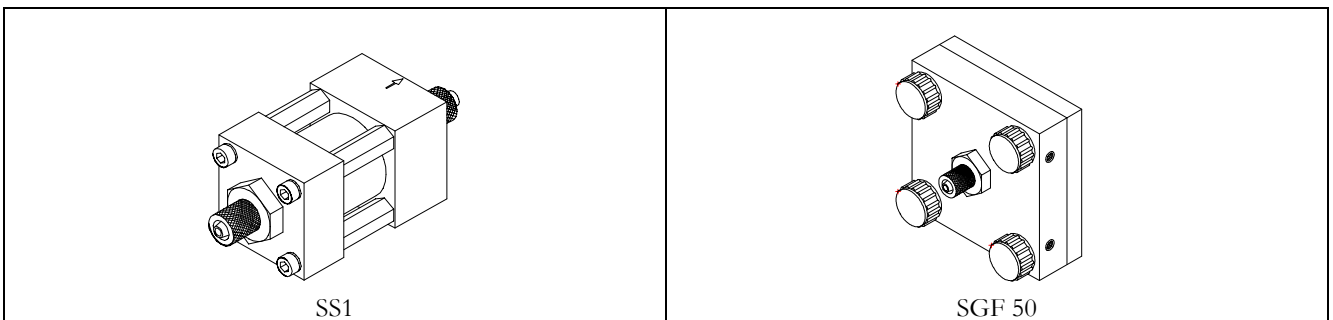


Sample Gas Filters, Ozone Destructs

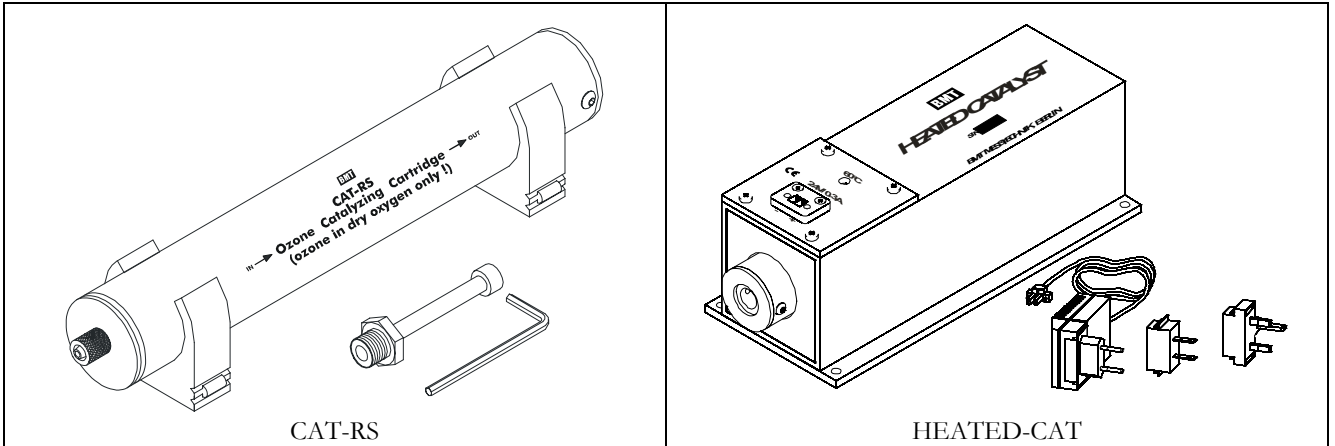


order number	description
DT 25	DIRT TRAP 25 ml, fittings 3x5 mm, glass / PTFE
DT 50	DIRT TRAP 50 ml, fittings 6 mm or 1/4" LET-LOK (Swagelok interchangeable), glass / PTFE, acrylic protection on two sides
DT 100	DIRT TRAP 100 ml, fittings 3x5 mm, glass / PTFE



order number	description
SS1	sample system, gas filter + flow resistance, fittings for 3x5 mm
FILTER-SS1	filter insert (two pieces), PTFE
SGF 50	* sample gas filter, diameter 50 mm, fittings for (standard) 3x5 mm or 4x6 mm PTFE, mounting holes M4, anodised aluminum, comes with 20 filter inserts (pure glass fibre)
SGF 50G	* same as above, golden anodized, for filter inserts of porous PTFE ("GOLD" filters), 5 spare filter inserts
SGF 50G/W	* same as above, with window for easy inspection
SGF 50G UPGRADE KIT	filter holder replacement (removable part, black or grey) for upgrade of BMT 965C / OG with 50 mm glass fibre filter insert to porous PTFE
FILTER 50	box with 20 filter inserts, 50 mm, for SGF 50 (as used in older BMT 964C & OG)
FILTER 50G	box with 5 filter inserts of porous PTFE ("GOLD" filters), 50 mm, for SGF 50G
FILTER 25	box with 20 filter inserts of pure glass fibre, 25 mm (as used in older BMT 964)
FILTER 25G	box with 5 filter inserts of porous PTFE ("GOLD" filters), 25mm

\*These filter holders are not suitable as spare parts in BMT instruments! Please ask.



order number		description
CAT-RS	*	catalyzing cartridge, OD 30 x 200 mm, stainless steel, to be refilled by the user, fitting for 3x5 mm FEP tubing (1/8" or 1/4" Swagelok on request), outlet G1/8, internal dust filters, clips; REFILL-RS included Attention: warranty is restricted to O <sub>3</sub> in pure dry oxygen
REFILL-RS		Carulite 200 material to refill CAT-RS
REFILL-35		(see page 4, BMT 965 C)
HEATED-CAT		CAT-RS as above, electrically heated to 60°C for 24 VDC, wall mount power supply for 100-240 VAC included

\*The above CAT-RS is not suitable as spare part in BMT instruments! Please ask.