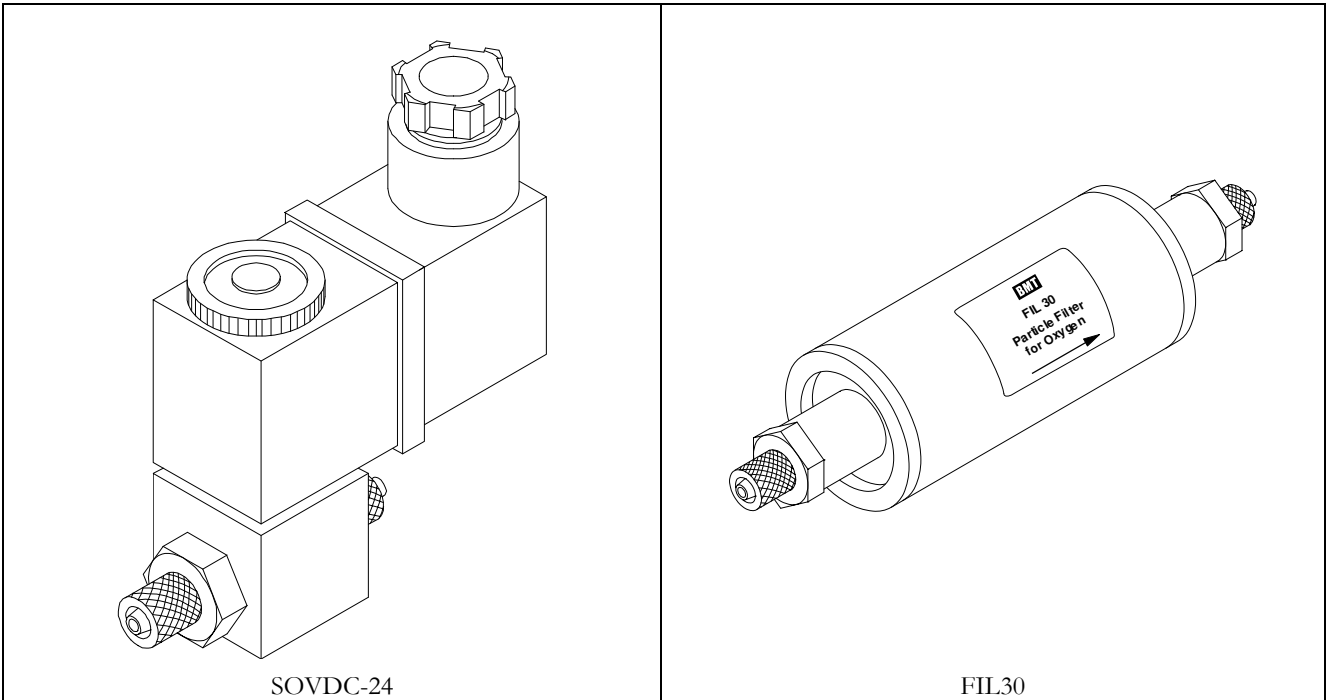
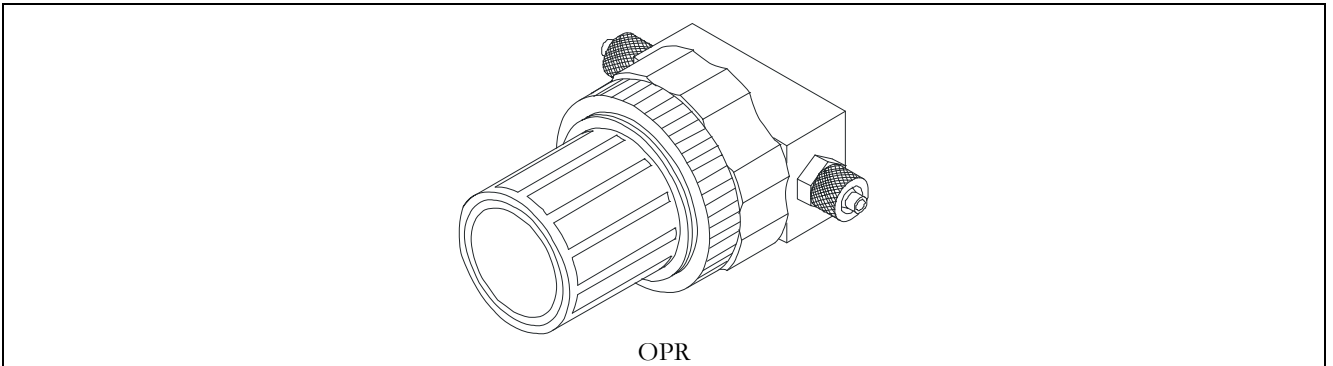


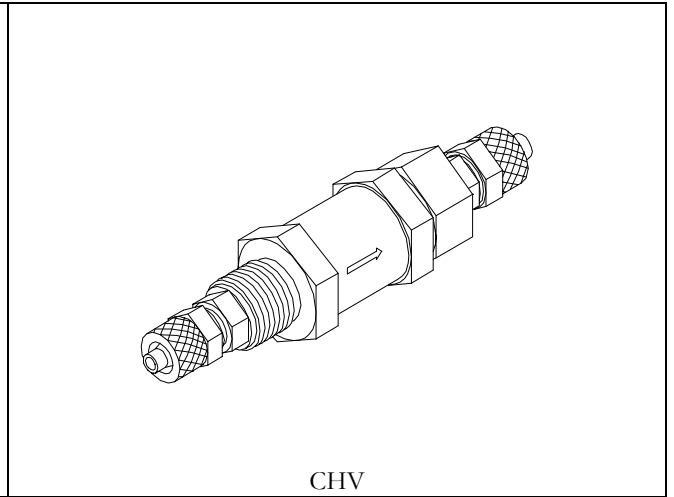
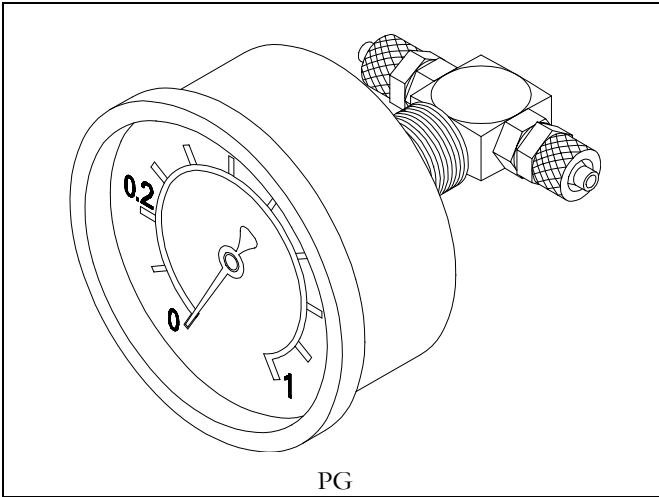
Ozone Generator Accessories



order number	description
SOVDC-24	oxygen safety off valve NC for 4x6 mm FEP tubing (3x5 mm on request), coil 24 VDC/5W, others on request
FIL30	oxygen filter (specify tubing)



order number	description
OPR10	oxygen pressure regulator 0-1.0 bar g
OPR25	oxygen pressure regulator 0-2.5 bar g



order number	description
PG10	oxygen pressure gauge, 50 mm OD, 0-1.0 bar g, with 2 fittings for 4x6 mm FEP tubing (3x5 mm on request), clamp
PG25	oxygen pressure gauge, 50 mm OD, 0-2.5 bar g, with 2 fittings for 4x6 mm FEP tubing (3x5 mm on request), clamp
CHV	check valve, approx. 25 mbar, ozone resistant, fittings for 4x6 mm FEP tubing (3x5 mm or 1/8" Swagelok on request)

If you have any further question, do not hesitate to contact us.

-

We will find a solution to your problem.