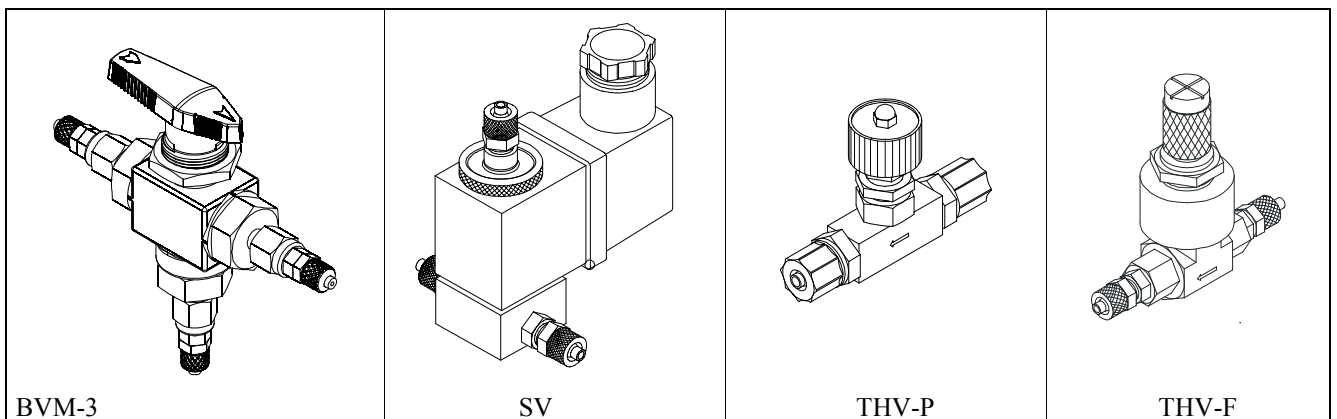


## Valves



BVM-3	3-way ball valve, manually operated, SS, for 3x5 mm tubing
SVDC 5	* 3-way solenoid valve, fittings for 3x5 mm FEP, SS, 5V DC / 2.8W, with plug
SVDC 12	* 3-way solenoid valve, fittings for 3x5 mm FEP, SS, 12V DC / 6W, with plug
SVDC 24	* 3-way solenoid valve, fittings for 3x5 mm FEP, SS, 24V DC / 6W, with plug
SVDC Plug	electric connector
SVAC-PWR	24 VDC power supply, to operate SVDC 24 at 100..240 VAC, 15 W, screw terminals
THV-P	throttle valve, for PRESS (bypass) configuration, for 3x5 mm tubing
THV-F	throttle valve, fine tuning, for 3x5 mm tubing

\* The above solenoid valves are not suitable as spare parts in BMT instruments! Please ask.