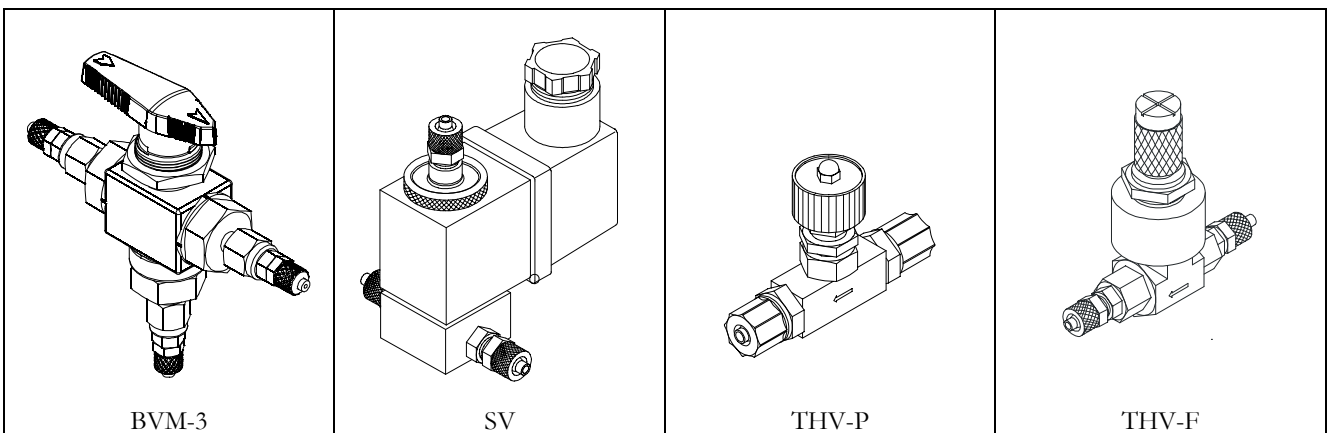


Valves



| order number |   | description  |
|--------------|---|--|
| BVM-3        |   | 3-way ball valve, manually operated, SS, for 3x5 mm tubing                     |
| SVDC 24      | * | 3-way solenoid valve, fittings for 3x5 mm FEP, SS, 24V DC / 6W, with plug      |
| SVDC Plug    |   | electric connector   |
| SVAC-PWR     |   | 24 VDC power supply, to operate SVDC 24 at 100..240 VAC, 15 W, screw terminals |
| THV-P        |   | throttle valve, for PRESS (bypass) configuration, for 3x5 mm tubing            |
| THV-F        |   | throttle valve, fine tuning, for 3x5 mm tubing                                 |

\*The above solenoid valve is not suitable as spare part in BMT instruments! Please ask.