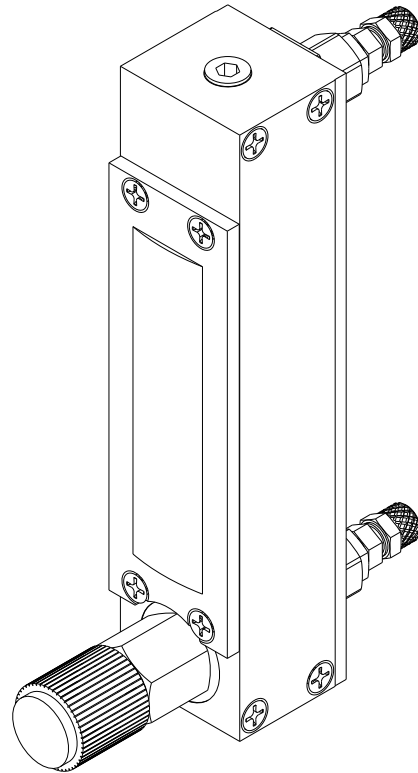


FLOWMETER FMT 114-10

Ozone-resistant



FEATURES

- stainless steel, borosilicate glass & FFKM
- ideal for low flow rates
- throttle valve
- scaled at 1 atm.

The FMT 114-10 is an ozone-resistant gas flowmeter with throttle valve for the gas flow measurement of ozone in oxygen and air. The throttle valve provides fine flow adjustment in configuration with fixed input pressure.

SPECIFICATIONS

materials in wetted path	stainless steel, borosilicate glass, FFKM
range	100 to 1000 ml/min
max. inlet pressure	6 bar g
calibrated for	oxygen @ 21.1 °C / 1 atm.
gas ports	for 3x5 mm tubing (FEP, PTFE), optionally for 4x6 mm tubing
dimensions (W x D x H)	approx. 32 x 32 x 140 mm plus fittings / valve

Dimensions:

